



PCB Information Package Tait Orca

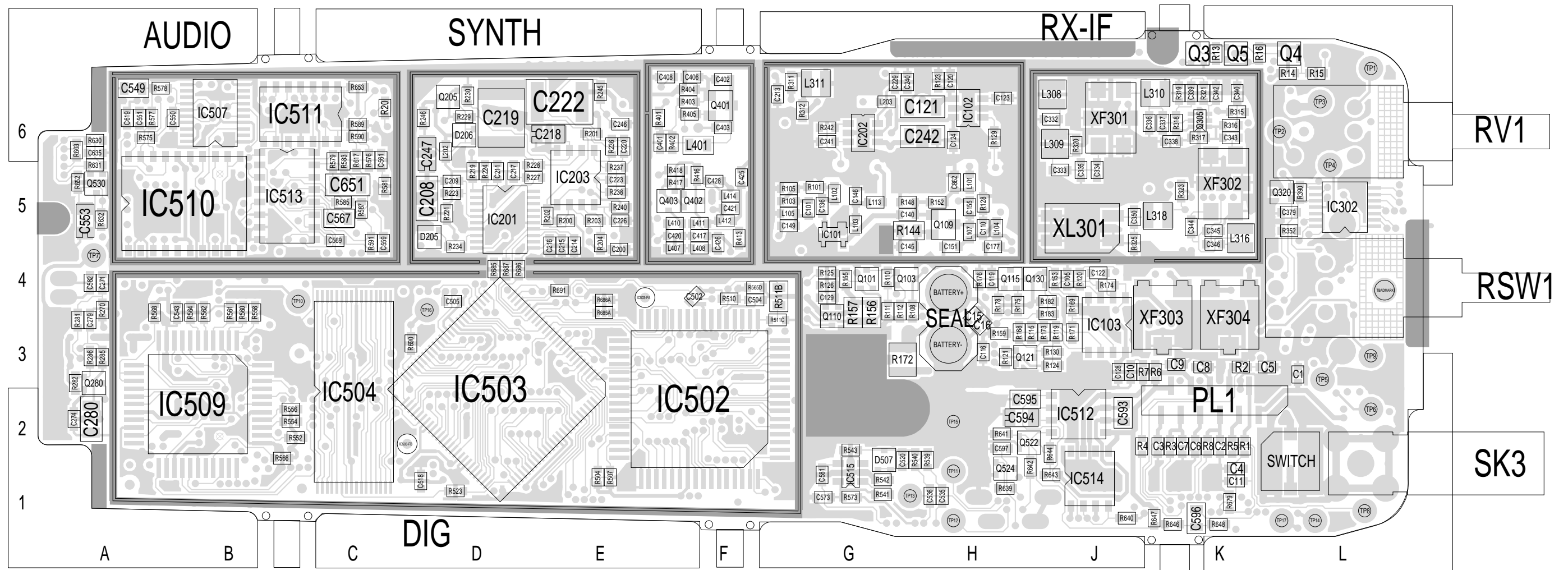
PCB LAYOUT - 800/900 MHz

220-01610-03

This PCB Information Package contains the following information for the 800/900 MHz Tait Orca:

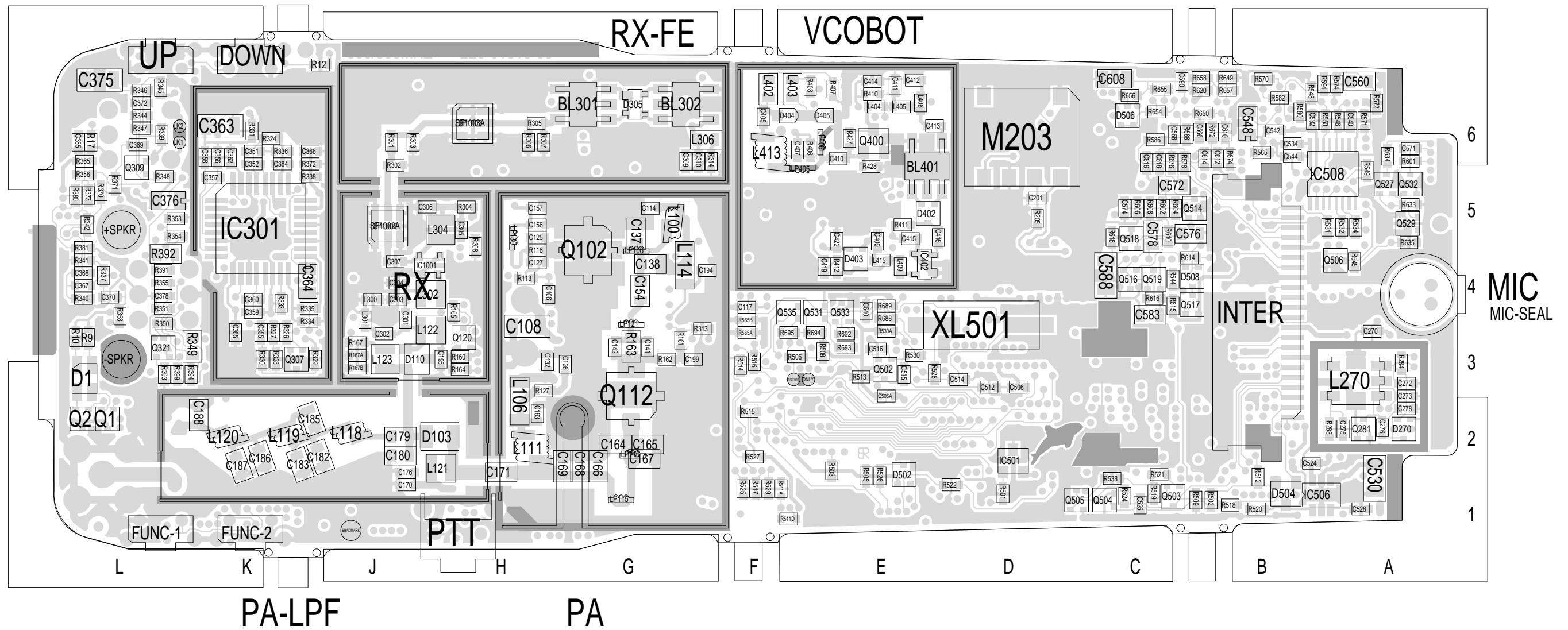
- [PCB layouts](#)
- [circuit diagrams](#).

Click on the links above or the bookmarks at the side to go to the relevant page.



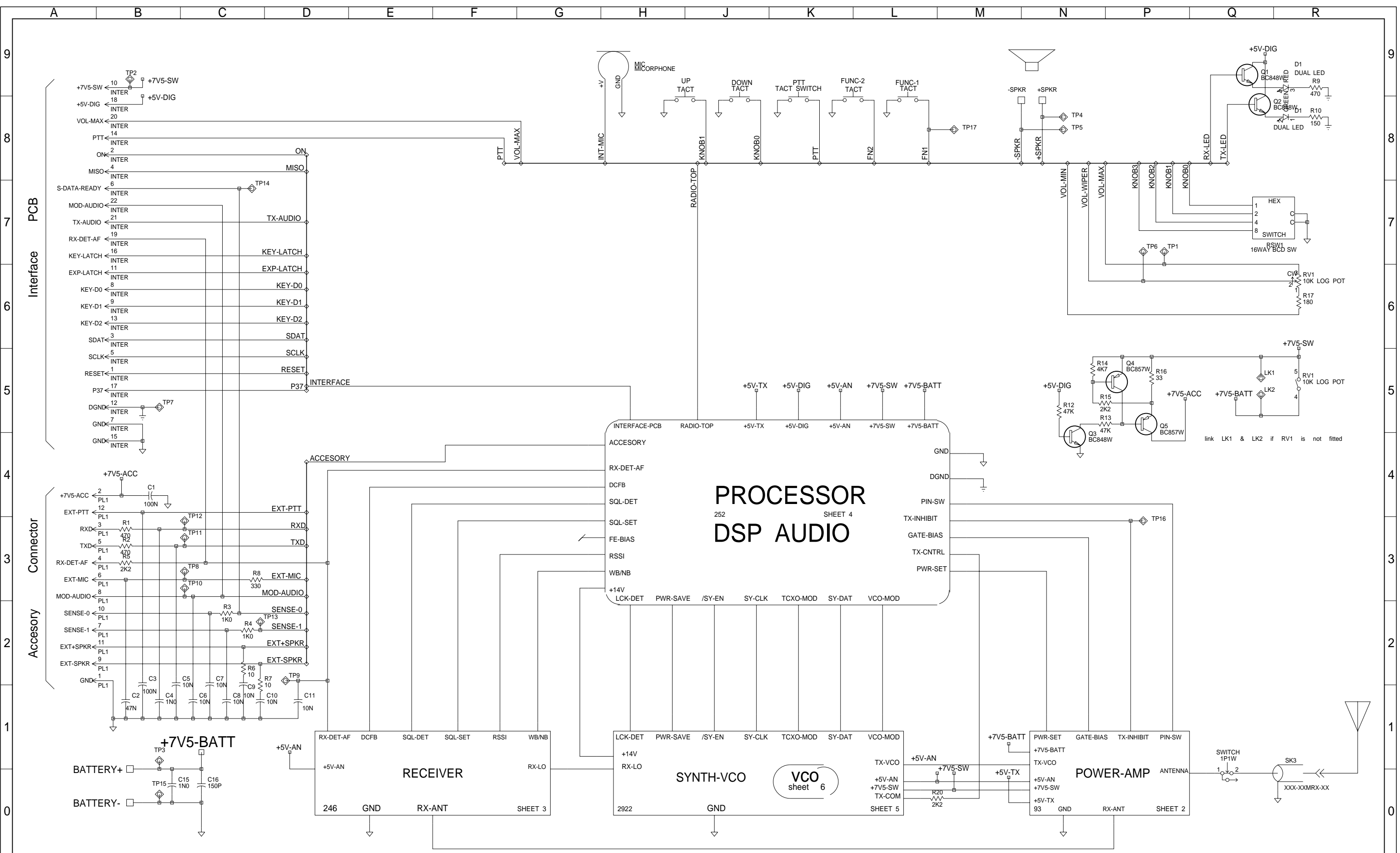
TAIT ELECTRONICS IPN: 220-01610-03 ISS: -03 ID: 1.TA DATE: 13 Oct 1999
 800/900MHZ PCB LAYOUT - TOP SIDE

Scale: 2.3:1 ; Rotation: 0 degrees



TAIT ELECTRONICS IPN: 220-01610-03 ISS: -03 ID: 6.BA DATE: 13 Oct 1999
 800/900MHZ PCB LAYOUT - BOTTOM SIDE

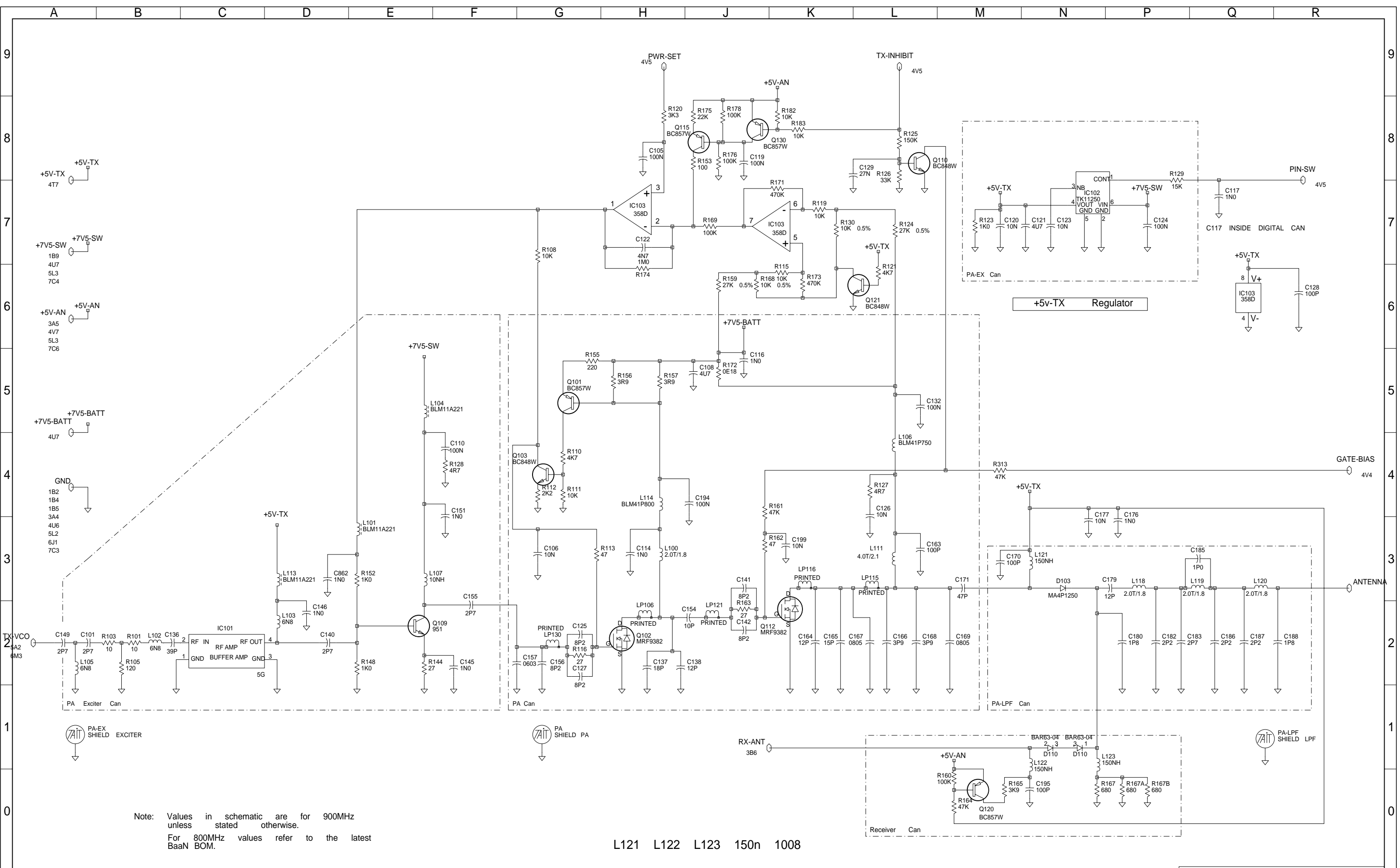
Scale: 2.3:1 ; Rotation: 0 degrees



03C	REGENERATED PLA CCO. 1610-006	BRD	SP	CK	DW	29-11-99
03B	VALUE CHANGES CCO. 1610-005	BRD	SP	CK	DW	02/11/99
03A	CCN NO.1610/003	BRD				13/10-99
02D	REGENERATE PLC & PLA FILES CCN No.1610-002	TS				05-10-99
02C	4 SP.PINS NOW SMD. SEALS NONSMD CCN No.1610-001	TS				17-09-99
02B	REFRESHED SAFC957/860 & 0E18U	BRD				02/07/99
REV/ISS	AMENDMENTS	DRAWN	CHKD	D.O.	APVD	DATE



© TAIT ELECTRONICS	
ORCA TOP:800/900MHZ SYSTEM DIAGRAM	
IPN: 220-01610-03	ISSUE: C
DESIGNER: ORCA	FILE DATE: 29-Nov-99
FILE NAME: 161003c	NO.SHEETS: 7
ID: 2.S.C. 1	



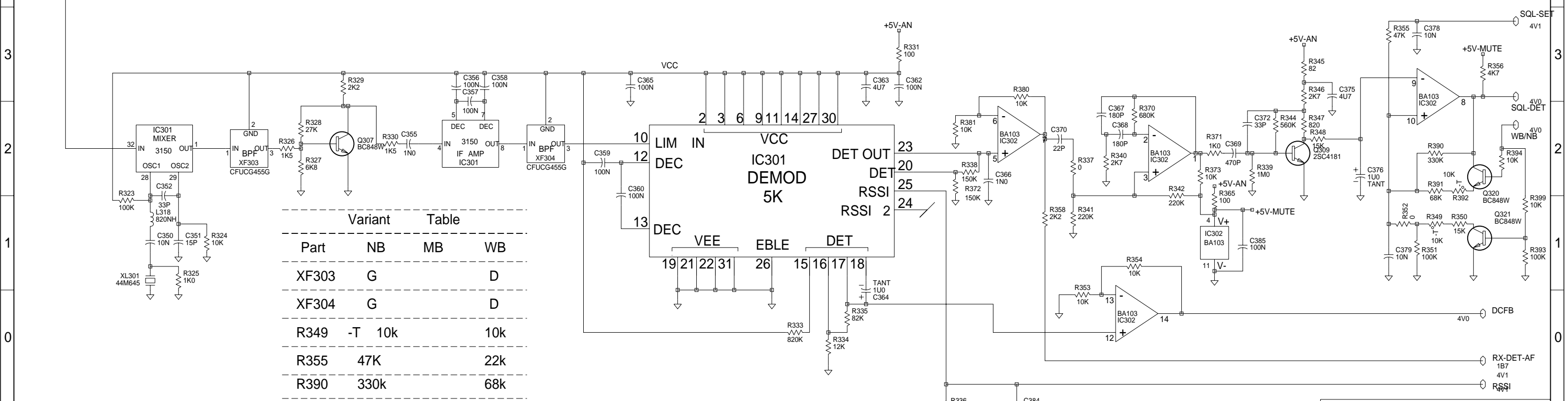
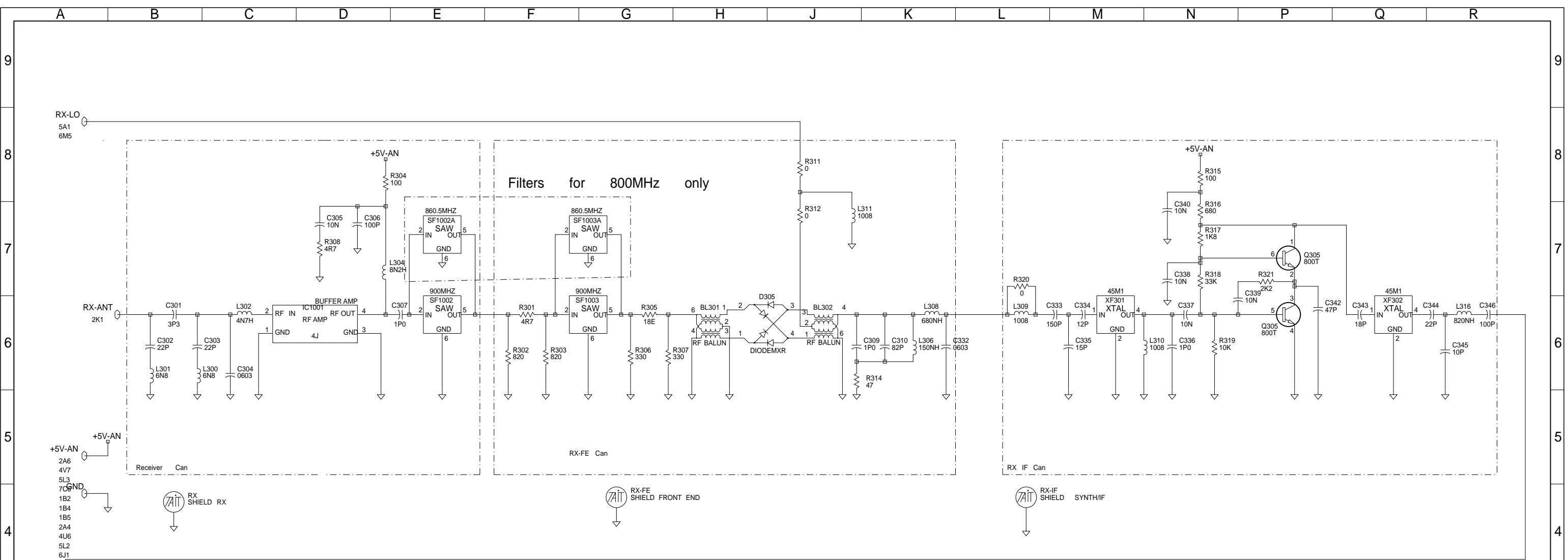
Note: Values in schematic are for 900MHz unless stated otherwise.
For 800MHz values refer to the latest BaaN BOM.

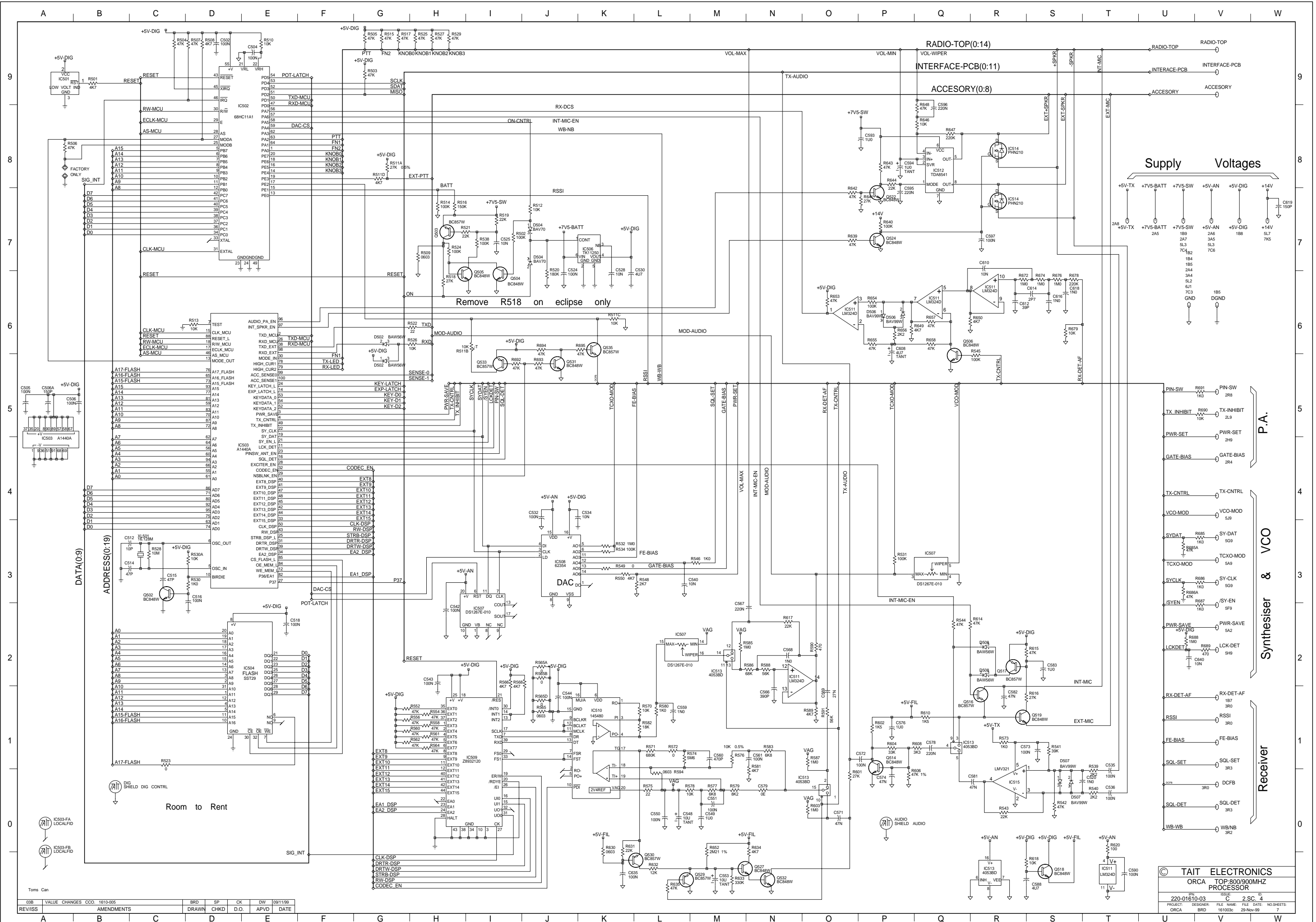
L121 L122 L123 150n 1008

03B	VALUE CHANGES	CCO. 1610-005	BRD	SP	CK	DW	02/11/99
REV/ISS	AMENDMENTS		DRAWN	CHKD	D.O.	APVD	DATE

© TAIT ELECTRONICS
ORCA TOP:800/900MHZ POWER AMPLIFIER

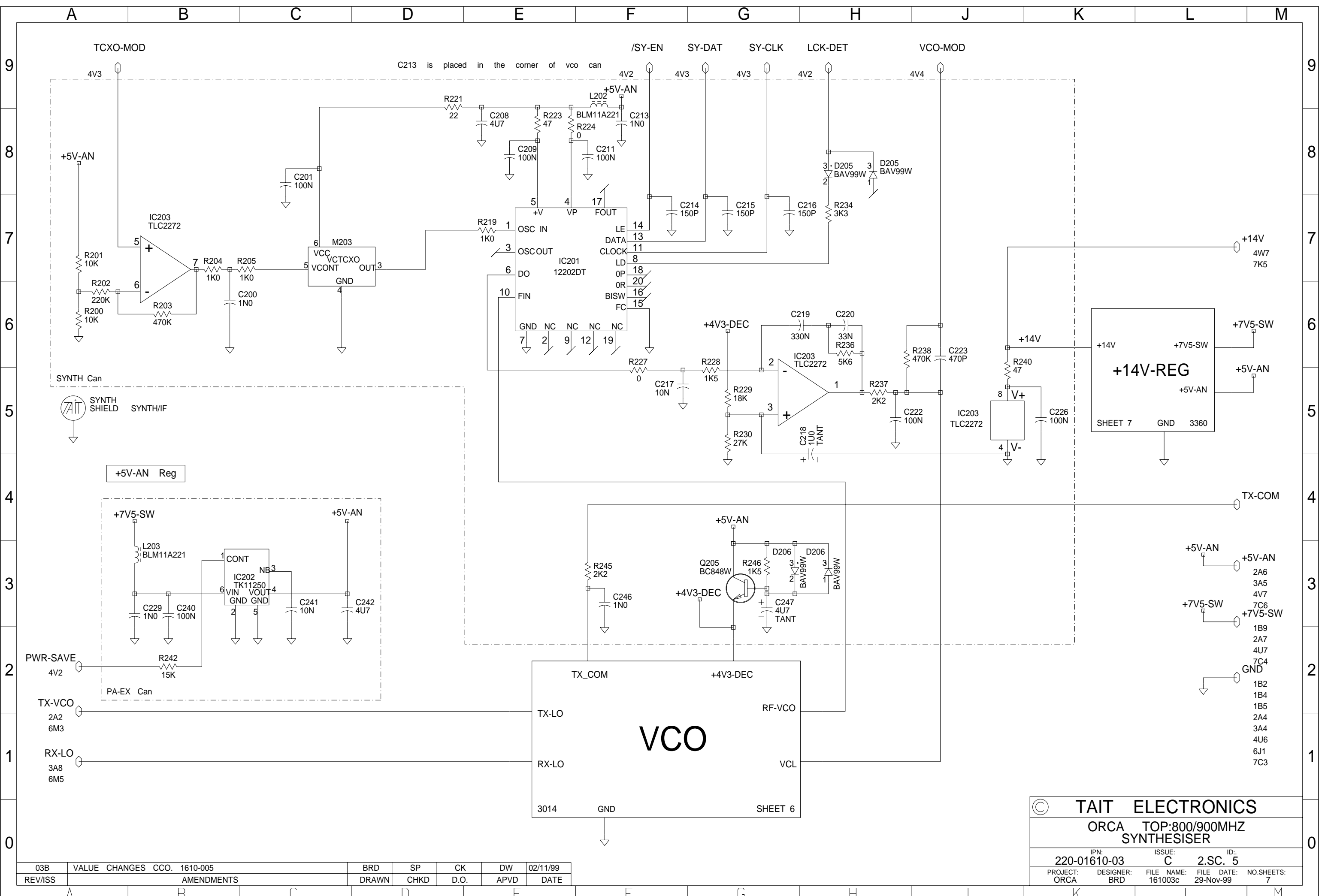
IPN:	ISSUE:	ID:
220-01610-03	C	2.S.C. 2
PROJECT:	DESIGNER:	FILE NAME:
ORCA	BRD	161003c
FILE DATE:	NO.SHEETS:	
29-Nov-99	7	





03B	VALUE	CHANGES	CCO	1610-005	BRD	SP	CK	DW	09/11/99
REV/ISS	AMENDMENTS		DRAWN		CHKD	D.O.	APVD	DATE	

© TAIT ELECTRONICS			
ORCA TOP:800/900MHZ PROCESSOR			
220-01610-03	C	2-SC	4
ORCA BRD	DESIGNER	FILE NAME	FILE DATE
161003c	29-Nov-99		



© TAIT ELECTRONICS
 ORCA TOP:800/900MHZ SYNTHESISER
 IPN: 220-01610-03 ISSUE: C ID: 2.SC. 5
 PROJECT: ORCA DESIGNER: BRD FILE NAME: 161003c FILE DATE: 29-Nov-99 NO.SHEETS: 7

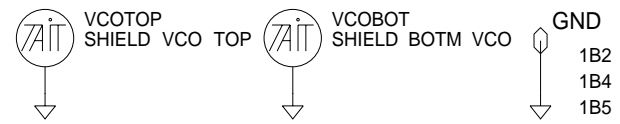
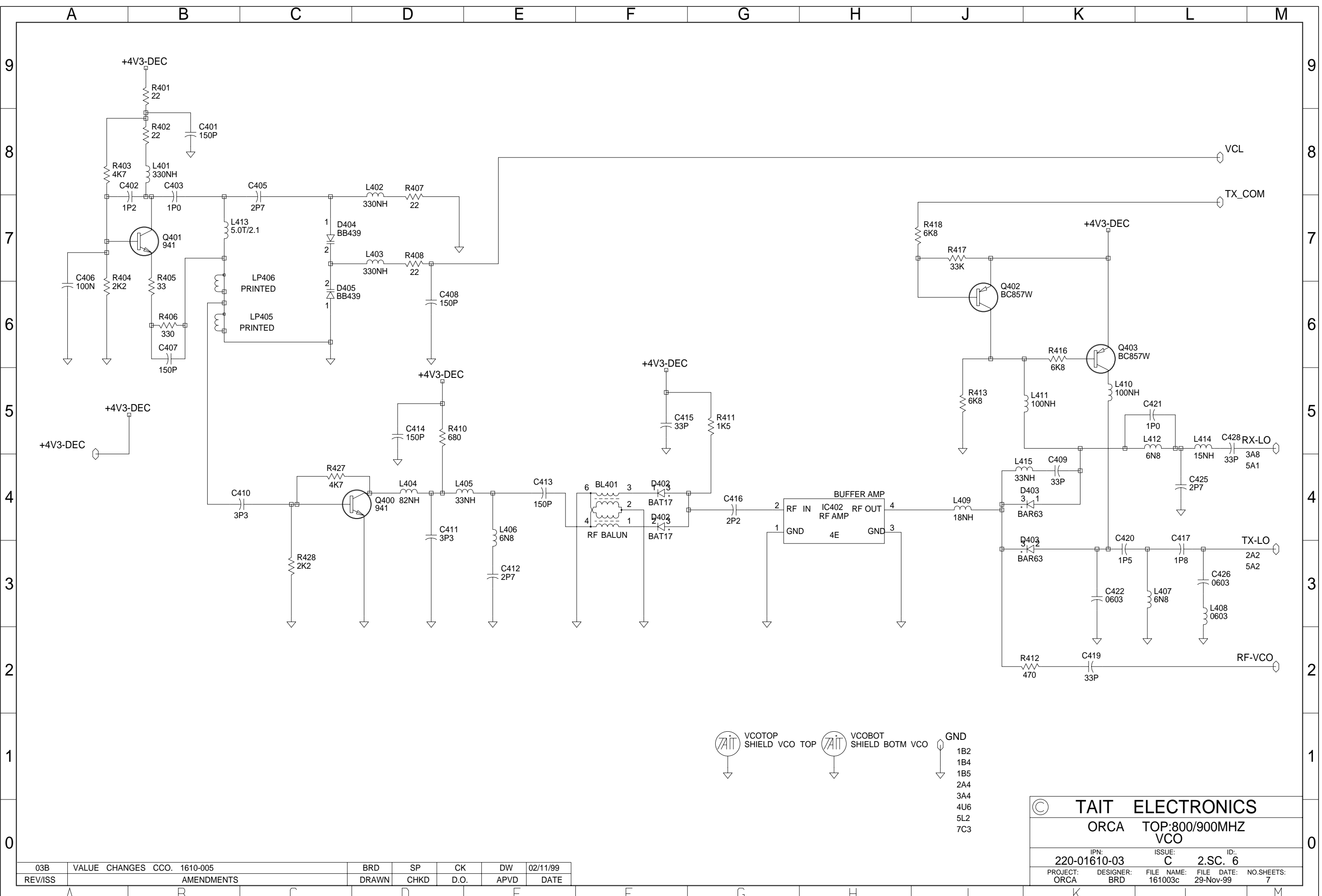
03B	VALUE CHANGES CCO. 1610-005	BRD	SP	CK	DW	02/11/99
REV/ISS	AMENDMENTS	DRAWN	CHKD	D.O.	APVD	DATE

VCO
 TX_COM +4V3-DEC
 TX-LO RF-VCO
 RX-LO VCL
 3014 GND SHEET 6

+5V-AN Reg

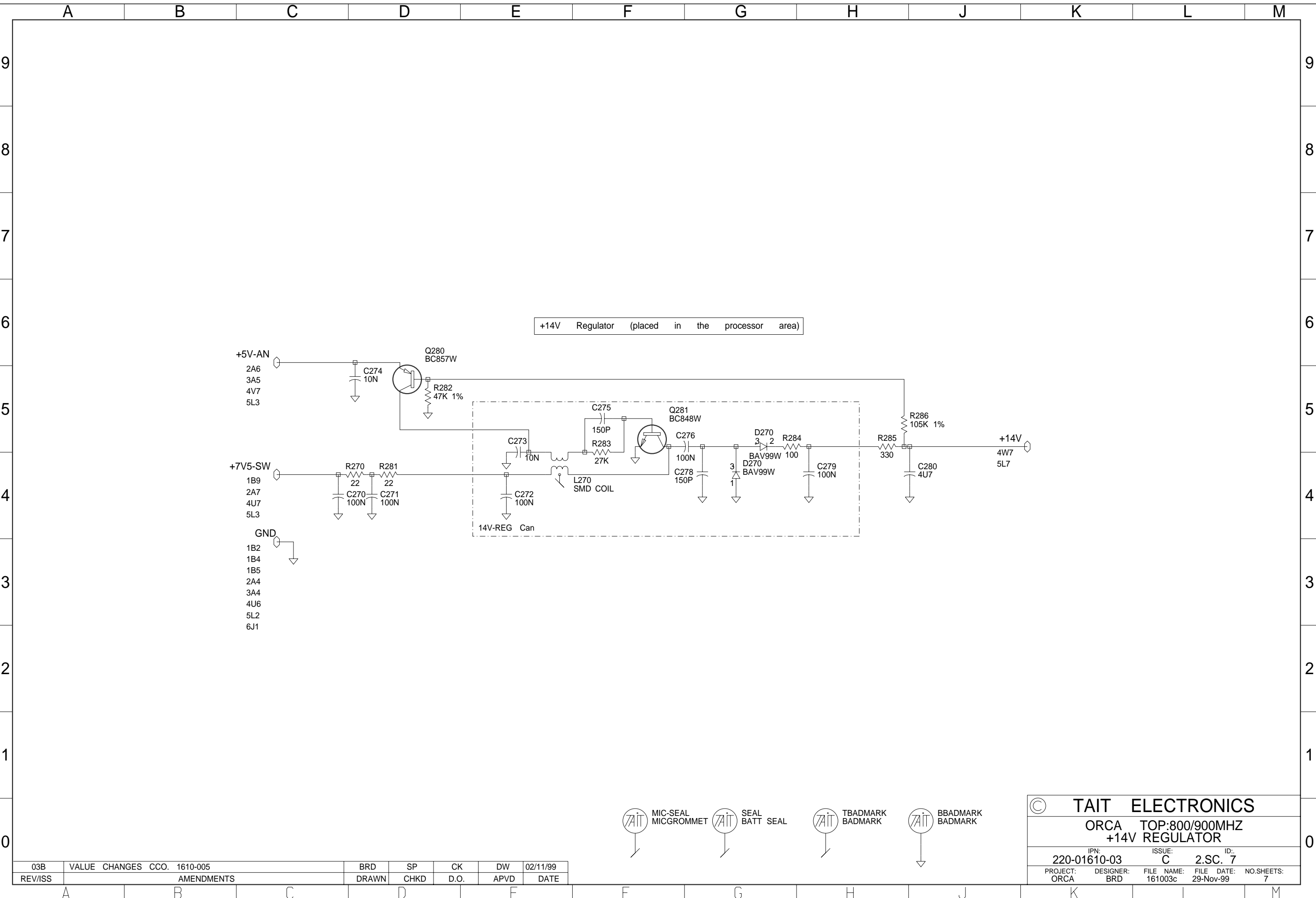
+14V-REG
 SHEET 7 GND 3360
 +14V +7V5-SW +5V-AN

- +5V-AN 2A6
- +5V-AN 3A5
- 4V7
- +7V5-SW 7C6
- +7V5-SW 1B9
- 2A7
- 4U7
- 7C4
- GND 1B2
- 1B4
- 1B5
- 2A4
- 3A4
- 4U6
- 6J1
- 7C3

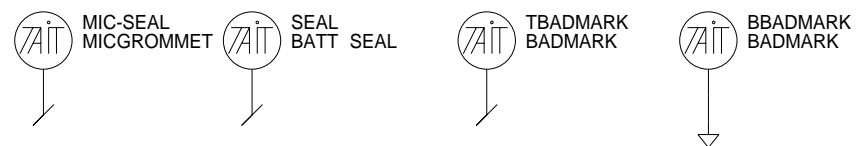
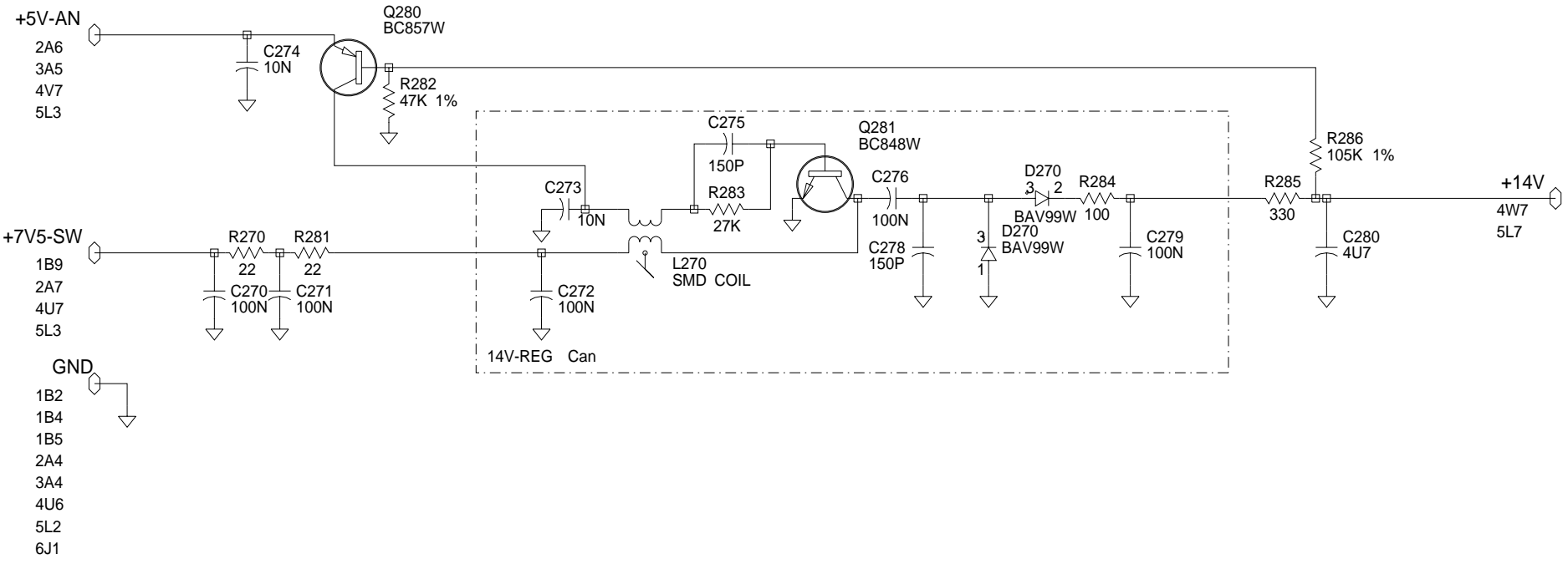


© TAIT ELECTRONICS	
ORCA TOP:800/900MHZ VCO	
IPN: 220-01610-03	ISSUE: C
PROJECT: ORCA	DESIGNER: BRD
FILE NAME: 161003c	FILE DATE: 29-Nov-99
ID: 2.SC. 6	NO.SHEETS: 7

03B	VALUE CHANGES CCO. 1610-005	BRD	SP	CK	DW	02/11/99
REV/ISS	AMENDMENTS	DRAWN	CHKD	D.O.	APVD	DATE



+14V Regulator (placed in the processor area)



© TAIT ELECTRONICS				
ORCA TOP:800/900MHZ +14V REGULATOR				
IPN:	ISSUE:	ID:		
220-01610-03	C	2.SC. 7		
PROJECT:	DESIGNER:	FILE NAME:	FILE DATE:	NO.SHEETS:
ORCA	BRD	161003c	29-Nov-99	7

03B	VALUE CHANGES CCO. 1610-005	BRD	SP	CK	DW	02/11/99
REV/ISS	AMENDMENTS	DRAWN	CHKD	D.O.	APVD	DATE